



## Fire Extinguisher 4.5kg (4A:60B:E)



### Overview

Quell's fire extinguishers provide a range of solutions for:

- Homes
- Garages
- Marine
- Automotive
- Industrial

The Quell 4.5kg fire extinguisher is Australian Standard certified and comes with a 5 year warranty.

Shopping for a fire extinguisher has never been easier with Quell's easy application-based packaging, giving consumers peace of mind that they are choosing the right product.

### Features & Benefits

- Australian Standard certified to AS1841.5
- Mild steel polyester powder coated handle and trigger
- Mild steel polyester powder coated cylinder
- ABE (mono-ammonium phosphate) dry chemical powder
- Rated for use on Class A, Class B and Class E fires
- Ready for use pressure indicator
- Forged brass valve
- Zinc plated steel wall bracket

# Protecting what matters most

## Technical Specifications

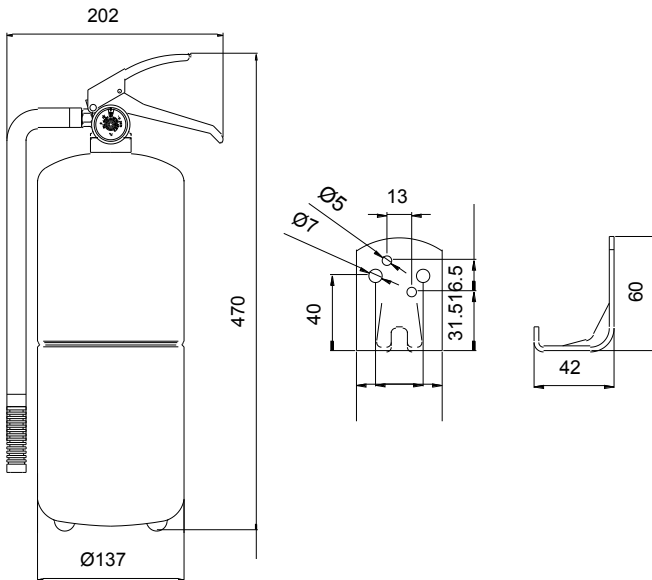
Model Number	136178
Type	DCP (Stored pressure)
Capacity	4.5 kg (Tol: ±2%)
Contents	ABE40 Powder
Rating	4A:60B:E
Test Pressure	2 MPa
Operating Pressure	1000 kPa
Nominal Mass	7.50 kg
Discharge Time	17 - 21 s
Nozzle Orifice	5.6 mm
Service Temperature	-5°C to 65°C

NOTE: Nominal mass and discharge times listed are approximate. Slight variations may occur.

## Ordering Information

136178	Quell 4.5 kg extinguisher industrial with metal service tag (4A:60B:E)
--------	--

## Product Dimensions



## Compatibility Chart

Which Fire Extinguisher do I use for which fire?	Class A Combustible materials e.g. Wood, Paper, Fabric	Class B Flammable liquids e.g. Petrol, Paint or Turpentine	Class E Electrical equipment e.g. Appliances, Computers, Phones
1 kg 1A:10B:E	✓	✓	✓
1 kg 1A:20B:E	✓	✓	✓
1.5 kg 2A:30B:E	✓	✓	✓
2.3 kg 2A:40B:E	✓	✓	✓
4L 2A	✓		
4.5 kg 4A:60B:E	✓	✓	✓
9.0 kg 6A:80B:E	✓	✓	✓

## Service Requirements

Service in accordance with Australian Standard AS1851.

Additional AS1851 Service Requirements:

- Replace Dry Chemical Powder every five (5) years
- The recommended location for stamping the cylinder pressure test date is on the neck ring of the cylinder, consisting of figures not less than 3mm in height and shall as a minimum be of the form MM/YY, or MM/YYYY.

Distributed by:

## Contact

For further information on the full range of Quell® products, visit our website [www.quell.com.au](http://www.quell.com.au)

Kidde Australia Pty Ltd  
 ABN 68 006 252 428  
 Building F, Unit 1B, 3-29 Birnie Avenue  
 Lidcombe NSW 2141

Quell® is a registered trademark of Kidde Australia Pty Ltd.  
 ©2025 Kidde. All rights reserved.