

# 4.5KG ABE FIRE EXTINGUISHER

Suitable for use in:

- Electrical switchboards
- Commercial buildings
- Manufacturing plants
- Homes and Garages



## Quell® Fire Extinguishers

Quell's range of fire extinguishers provide a range of solutions for the home or industrial premises. Each Quell branded fire extinguisher is Australian Standard certified and comes with a 5 year warranty. Shopping for a fire extinguisher has never been easier with Quell's colour coding system, neatly categorising the range so that you know you are choosing the right product for the right application.

## Product Specifications

Model Number	136178
Type	DCP (Stored pressure)
Capacity	4.5kg (Tol: ±2%)
Contents	ABE40 Powder
Rating	4A:60B:E
Test Pressure	2 MPa
Operating Pressure	1000 kPa
Nominal Mass	7.50 kg
Discharge Time	17 – 21 s
Nozzle Orifice	5.6 mm
Service Temperature	-5°C to 65°C

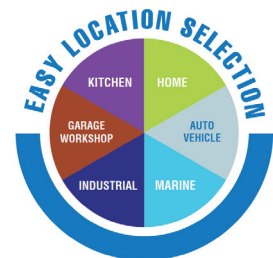
NOTE: Nominal mass and discharge times listed are approximate. Slight variations may occur.

## Features and Benefits

The Quell® 4.5kg ABE dry chemical extinguisher features:

- Australian Standard certified to AS1841.5
- Mild steel polyester powder coated handle and trigger
- Mild steel polyester powder coated cylinder
- ABE (mono-ammonium phosphate) dry chemical powder.
- Rated for use on Class A, Class B and Class E fires.
- Ready for use pressure indicator
- Forged brass valve
- Zinc plated steel wall bracket.
- Light duty vehicle bracket available suitable for small commercial vehicles, vans and utilities
- Heavy duty vehicle bracket available suitable for use on large commercial vehicles, buses and trucks.

## Product suitability



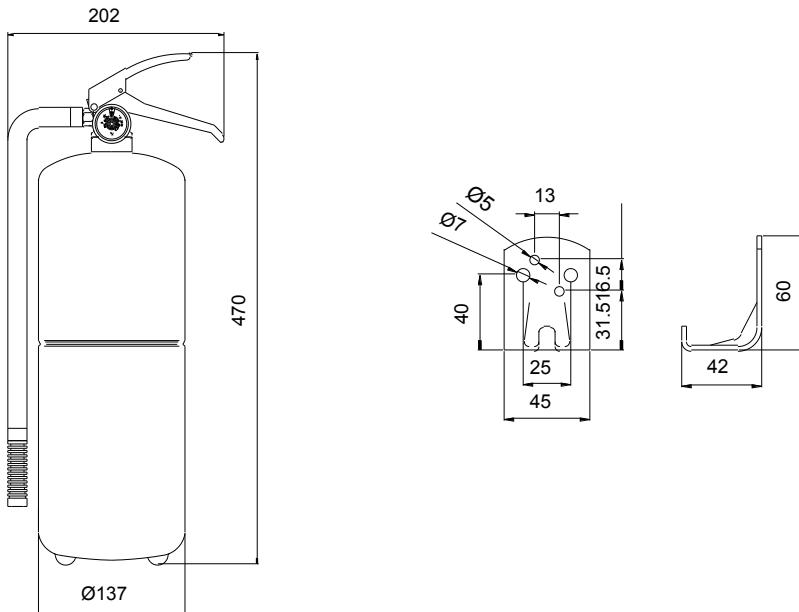
# 1KG ABE FIRE EXTINGUISHER

## Compatibility Chart

Which Fire Extinguisher do I use for which fire?						
Kitchen / Garage 1kg 10B:E	✘	✘	-	-	-	✘
Home / Vehicle / Marine 1kg 1A:10B:E	✘	-	✘	✘	✘	✘
Auto / Marine 1kg 1A:10B:E	✘	-	✘	✘	✘	✘
Home / Garage / Workshop 1.5kg 2A:20B:E	✘	-	✘	✘	✘	✘
Home / Garage / Workshop 2.3kg 2A:40B:E	✘	-	✘	✘	✘	✘
Industrial 4.5kg 4A:60B:E	✘	-	✘	✘	✘	✘
Heavy Industrial 9.0kg 6A:80B:E	✘	-	✘	✘	✘	✘



## Product Dimensions



## Service Requirements

Service in accordance with Australian Standard AS1851.

Additional AS1851 Service Requirements:

- Replace Dry Chemical Powder every five (5) years
- The recommended location for stamping the cylinder pressure test date is on the neck ring of the cylinder, consisting of figures not less than 3mm in height and shall as a minimum be of the form MM/YY, or MM/YYYY.



## Contact

For further information on Quell® smoke alarms, or other products in the Quell® range visit our website at [www.quell.com.au](http://www.quell.com.au) or phone **1800 654 435**