

4.0L LITHIUM-ION EXTINGUISHER

Suitable for:

- Mobile Devices
- Power Banks
- RC Batteries
- E-Scooters / E-bikes
- Solar Energy Storage
- Vehicle Batteries



Quell® Fire Extinguishers

Quell's range of fire extinguishers provide a range of solutions for the home or industrial premises. Each Quell branded fire extinguisher is Australian Standard certified. Shopping for a fire extinguisher has never been easier with Quell's colour coding system, neatly categorising the range so that you know you are choosing the right product for the right application.

Features and Benefits

- Separates oxygen from the fuel source
- Absorbs heat energy 4-6 times better than water
- Encapsulates electrolyte battery material
- Zinc coated wall mount bracket
- Safety induction spreading nozzle
- 316 Marine grade stainless construction
- Tested and approved to AS1841.2
- 3 Year warranty

Product Specifications

Model Number	140026
Type	Water Type with additive
Capacity	4.0 L
Contents	Encapsulation Agent
Rating	2A:3F
Test Pressure	2.5 MPa
Operating Pressure	1000 kPa
Nominal Mass	6.2 kg
Discharge Time	30 - 35s
Nozzle Orifice	5 x 2.0 mm
Service Temperature	-5°C to 0°C
Barcode	9315546400261

Product suitability



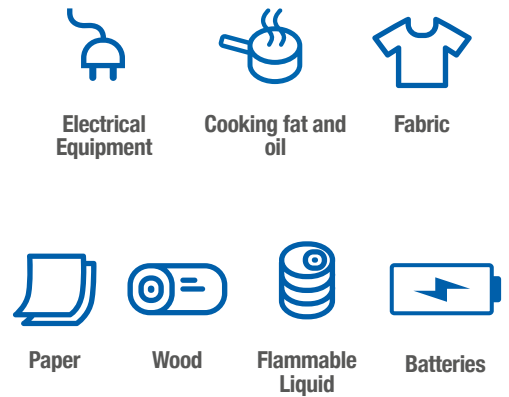
NOTE: Nominal mass and discharge times listed are approximate. Slight variations may occur.



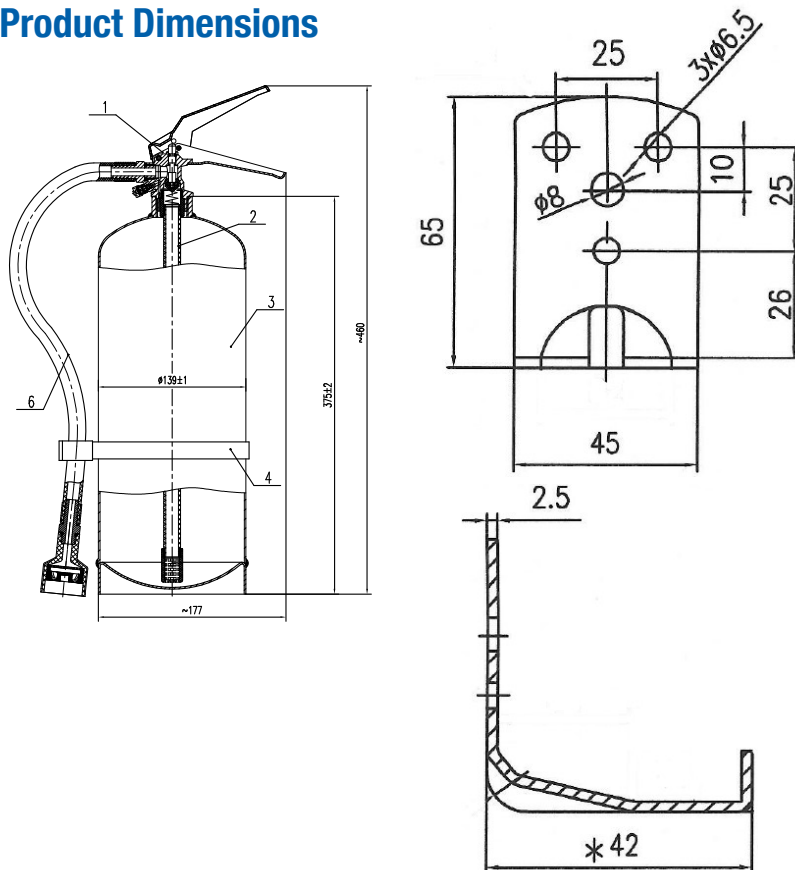
4.0L LITHIUM-ION EXTINGUISHER

Compatibility Chart

Which Fire Extinguisher do I use for which fire?							
Kitchen / Garage 1 kg 10B:E	✓	✓					✓
Home / Vehicle / Marine 1 kg 1A:10B:E	✓		✓	✓	✓	✓	
Auto / Marine 1 kg 1A:10B:E	✓		✓	✓	✓	✓	
Home / Garage / Workshop 1.5 kg 2A:30B:E	✓		✓	✓	✓	✓	
Home / Garage / Workshop 2.3 kg 2A:40B:E	✓		✓	✓	✓	✓	
Industrial 4.5 kg 4A:60B:E	✓		✓	✓	✓	✓	
Heavy Industrial 9.0 kg 6A:80B:E	✓		✓	✓	✓	✓	
Lithium-Ion Battery 4.0 L 2A:3F		✓	✓	✓	✓		✓



Product Dimensions



Service Requirements

Service in accordance with Australian Standard AS1851.

Additional AS1851 Service Requirements:

- The recommended location for stamping the cylinder pressure test date is on the neck ring of the cylinder, consisting of figures not less than 3 mm in height and shall as a minimum be of the form MM/YY, or MM/YYYY.



Contact

For further information on Quell® smoke alarms, or other products in the Quell® range visit our website at www.quell.com.au or phone 1800 654 435