

# 1KG ABE FIRE EXTINGUISHER

Suitable for use in:

Homes

Vehicles

Boats & Caravans



## Quell® Fire Extinguishers

Quell's range of fire extinguishers provide a range of solutions for the home or industrial premises. Each Quell branded fire extinguisher is Australian Standard certified and comes with a 5 year warranty. Shopping for a fire extinguisher has never been easier with Quell's colour coding system, neatly categorising the range so that you know you are choosing the right product for the right application.

## Product Specifications

<b>Model Number</b>	Q127422
<b>Type</b>	DCP (Stored pressure)
<b>Capacity</b>	1.0 kg (Tol: ±5%)
<b>Contents</b>	ABE90 Powder
<b>Rating</b>	1A:20B:E
<b>Test Pressure</b>	2.7 MPa
<b>Operating Pressure</b>	1500 kPa
<b>Nominal Mass</b>	2 kg
<b>Discharge Time</b>	8 - 11s
<b>Nozzle Orifice</b>	2.8 mm
<b>Service Temperature</b>	-5°C to 65°C
<b>APN Number</b>	9315546274220
<b>TUN Outer</b>	29315546274224

NOTE: Nominal mass and discharge times listed are approximate. Slight variations may occur.

## Features and Benefits

- Australian Standard certified to AS1841.5
- Mild steel polyester powder coated handle and trigger
- Mild steel polyester powder coated cylinder
- ABE (mono-ammonium phosphate) dry chemical powder.
- Rated for use on Class A, Class B and Class E fires.
- Ready for use pressure indicator
- Forged brass valve
- Light duty metal bracket for use in light vehicles including vans, utilities and 4-wheel drives

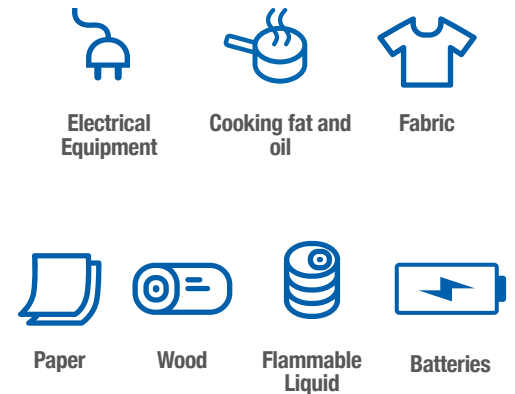
## Product suitability



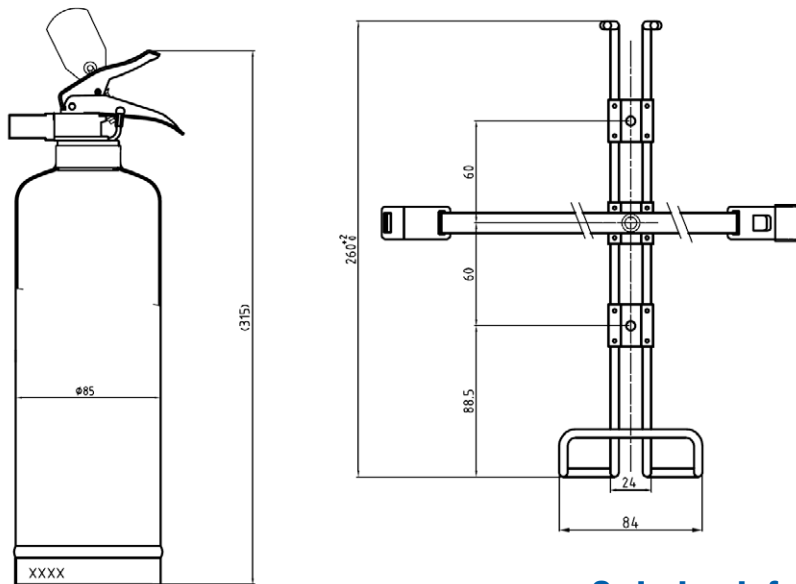
# 1KG ABE FIRE EXTINGUISHER

## Compatibility Chart

Which Fire Extinguisher do I use for which fire?							
Kitchen / Garage 1 kg 10B:E	✓	✓				✓	
Home / Vehicle / Marine 1 kg 1A:10B:E	✓		✓	✓	✓	✓	
Home / Vehicle / Marine 1 kg 1A:20B:E	✓		✓	✓	✓	✓	
Auto / Marine 1 kg 1A:10B:E	✓		✓	✓	✓	✓	
Home / Garage / Workshop 1.5 kg 2A:30B:E	✓		✓	✓	✓	✓	
Home / Garage / Workshop 2.3 kg 2A:40B:E	✓		✓	✓	✓	✓	
Industrial 4.5 kg 4A:60B:E	✓		✓	✓	✓	✓	
Heavy Industrial 9.0 kg 6A:80B:E	✓		✓	✓	✓	✓	
Lithium-Ion Battery 4.0 L 2A:3F		✓	✓	✓	✓		✓



## Product Dimensions



## Service Requirements

Service in accordance with Australian Standard AS1851.

Additional AS1851 Service Requirements:

- Replace Dry Chemical Powder every five (5) years
- The recommended location for stamping the cylinder pressure test date is on the neck ring of the cylinder, consisting of figures not less than 3 mm in height and shall as a minimum be of the form MM/YY, or MM/YYYY.



## Ordering information

Bar Code	Code	Pack Qty	Dimensions (D x W x H)	Weight	Pallet Qty
9315546274220	Q127422	Each	85 mm x 85 mm x 320 mm	2.2 kg	360
29315546274224	Q127422	Outer carton 6	350 mm x 240 mm x 415 mm	13.4 kg	360

## Contact

For further information on Quell® smoke alarms, or other products in the Quell® range visit our website at [www.quell.com.au](http://www.quell.com.au) or phone **1800 654 435**