



# 1kg Marine/ Outdoor Fire Extinguisher (1A:10B:E)



## OVERVIEW

Quell's 1kg fire extinguisher with marine grade stainless steel mounting bracket is designed to withstand the elements. Suitable for a range of solutions:

- Marine
- Home
- Garages
- Automotive
- Caravans
- Workshops

Each Quell branded fire extinguisher is Australian Standard certified and comes with a 5 year warranty.

Shopping for a fire extinguisher has never been easier with Quell's easy application-based packaging, giving consumers peace of mind that they are choosing the right product.

## FEATURES & BENEFITS

- Australian Standard certified to AS1841.5
- Mild steel polyester powder coated handle and trigger
- Mild steel polyester powder coated cylinder
- ABE (mono-ammonium phosphate) dry chemical powder
- Rated for use on Class A, Class B and Class E fires
- Ready for use pressure indicator
- Forged brass valve
- Stainless steel Heavy duty metal bracket for use in boats and vehicles including vans, utilities and 4-wheel drives

# Protecting what matters most

## TECHNICAL SPECIFICATIONS

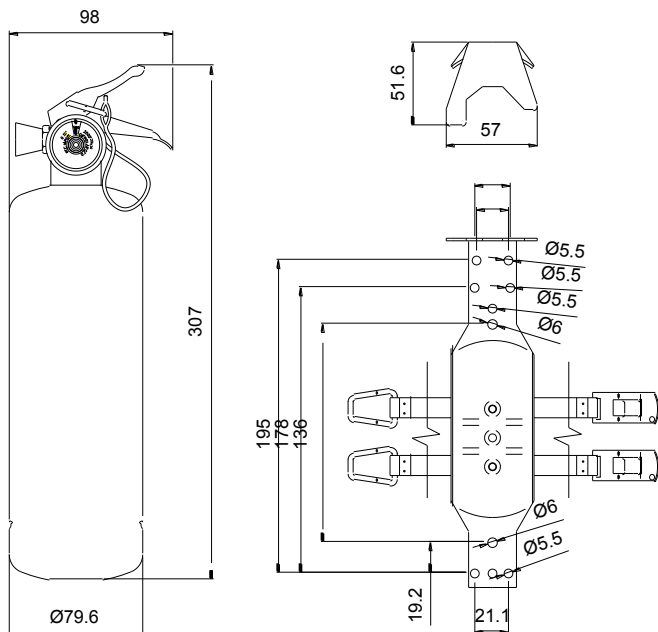
Model Number	Q127418
Type	DCP (Stored pressure)
Capacity	1.0kg (Tol: ±5%)
Contents	ABE40 Powder
Rating	1A:10B:E
Test Pressure	2 MPa
Operating Pressure	1000 kPa
Nominal Mass	1.70 kg
Discharge Time	8 - 11 s
Nozzle Orifice	3.5 mm
Service Temperature	-5°C to 65°C
APN Number	9315546618932
TUN Outer	29315546618936

NOTE: Nominal mass and discharge times listed are approximate. Slight variations may occur.

## ORDERING INFORMATION

Q127418                      Quell 1kg Extinguisher  
Marine/Outdoor (1A:10B:E)

## PRODUCT DIMENSIONS



## COMPATIBILITY CHART

Which Fire Extinguisher do I use for which fire?	Class A Combustible materials e.g. Wood, Paper, Fabric	Class B Flammable liquids e.g. Petrol, Paint or Turpentine	Class E Electrical equipment e.g. Appliances, Computers, Phones
1 kg 1A:10B:E	✓	✓	✓
1 kg 1A:20B:E	✓	✓	✓
1.5 kg 2A:30B:E	✓	✓	✓
2.5 kg 3A:40B:E	✓	✓	✓
4L 2A	✓		
4.5 kg 6A:60B:E	✓	✓	✓
9.0 kg 6A:80B:E	✓	✓	✓

## SERVICE REQUIREMENTS

Service in accordance with Australian Standard AS1851.

Additional AS1851 Service Requirements:

- Replace Dry Chemical Powder every five (5) years
- The recommended location for stamping the cylinder pressure test date is on the neck ring of the cylinder, consisting of figures not less than 3 mm in height and shall as a minimum be of the form MM/YY, or MM/YYYY.

Distributed by:

## Contact

For further information on the full range of Quell® products, visit our website [www.quell.com.au](http://www.quell.com.au)

Kidde Australia Pty Ltd  
ABN 68 006 252 428  
Building F, Unit 1B, 3-29 Birnie Avenue  
Lidcombe NSW 2141

Quell® is a registered trademark of Kidde Australia Pty Ltd.  
©2025 Kidde. All rights reserved.