



2.5kg Fire Extinguisher (3A:40B:E)



Overview

Quell's fire extinguishers provide a range of solutions for:

- Homes
- Garages
- Marine
- Automotive
- Industrial

The Quell 2.5kg fire extinguisher is Australian Standard certified and comes with a 5 year warranty.

Shopping for a fire extinguisher has never been easier with Quell's easy application-based packaging, giving consumers peace of mind that they are choosing the right product.

Features & Benefits

- Australian Standard certified to AS1841.5
- Stainless steel handle and trigger
- Mild steel polyester powder coated cylinder
- ABE (mono-ammonium phosphate) dry chemical powder
- Rated for use on Class A, Class B and Class E fires
- Ready for use pressure indicator
- Forged brass valve
- Powder coated metal wall hook and Zinc coated metal mount with stainless steel straps

Protecting what matters most

Technical Specifications

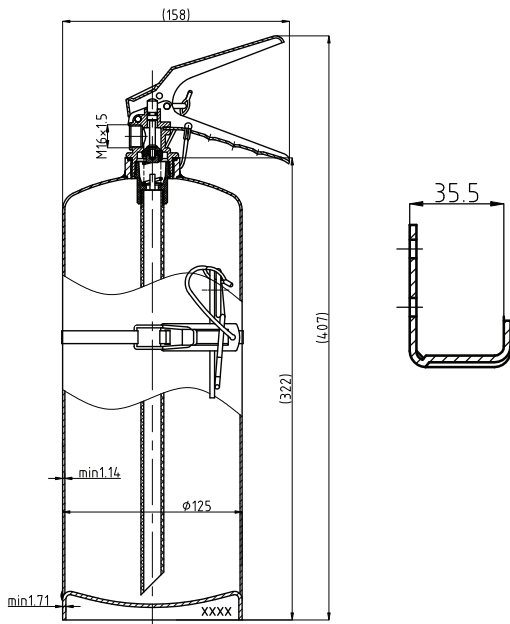
Model Number	Q127423
Type	DCP (Stored pressure)
Capacity	2.5kg (Tol: ±3%)
Contents	ABE75 Powder Rating
Rating	3A:40B:E
Test Pressure	2.7 MPa Operating
Operating Pressure	1500 kPa
Nominal Mass	4.4 kg
Discharge Time	≥13s
Nozzle Orifice	3.8 mm
Service Temperature	-30°C to 65°C

NOTE: Nominal mass and discharge times listed are approximate. Slight variations may occur.

Ordering Information

Q127423	Quell 2.5kg extinguisher with metal service tag (3A:40B:E)
---------	--

Product Dimensions



Compatibility Chart

Which Fire Extinguisher do I use for which fire?	Class A Combustible materials e.g. Wood, Paper, Fabric	Class B Flammable liquids e.g. Petrol, Paint or Turpentine	Class E Electrical equipment e.g. Appliances, Computers, Phones
1 kg 1A:10B:E	✓	✓	✓
1 kg 1A:20B:E	✓	✓	✓
1.5 kg 2A:30B:E	✓	✓	✓
2.5 kg 3A:40B:E	✓	✓	✓
4L 2A	✓		
4.5 kg 6A:60B:E	✓	✓	✓
9.0 kg 6A:80B:E	✓	✓	✓

Service Requirements

Service in accordance with Australian Standard AS1851.

Additional AS1851 Service Requirements:

- Replace Dry Chemical Powder every five (5) years
- The recommended location for stamping the cylinder pressure test date is on the neck ring of the cylinder, consisting of figures not less than 3 mm in height and shall as a minimum be of the form MM/YY, or MM/YYYY.

Distributed by:

Contact

For further information on the full range of Quell® products, visit our website www.quell.com.au

Kidde Australia Pty Ltd
 ABN 68 006 252 428
 Building F, Unit 1B, 3-29 Birnie Avenue
 Lidcombe NSW 2141

Quell® is a registered trademark of Kidde Australia Pty Ltd.
 ©2025 Kidde. All rights reserved.